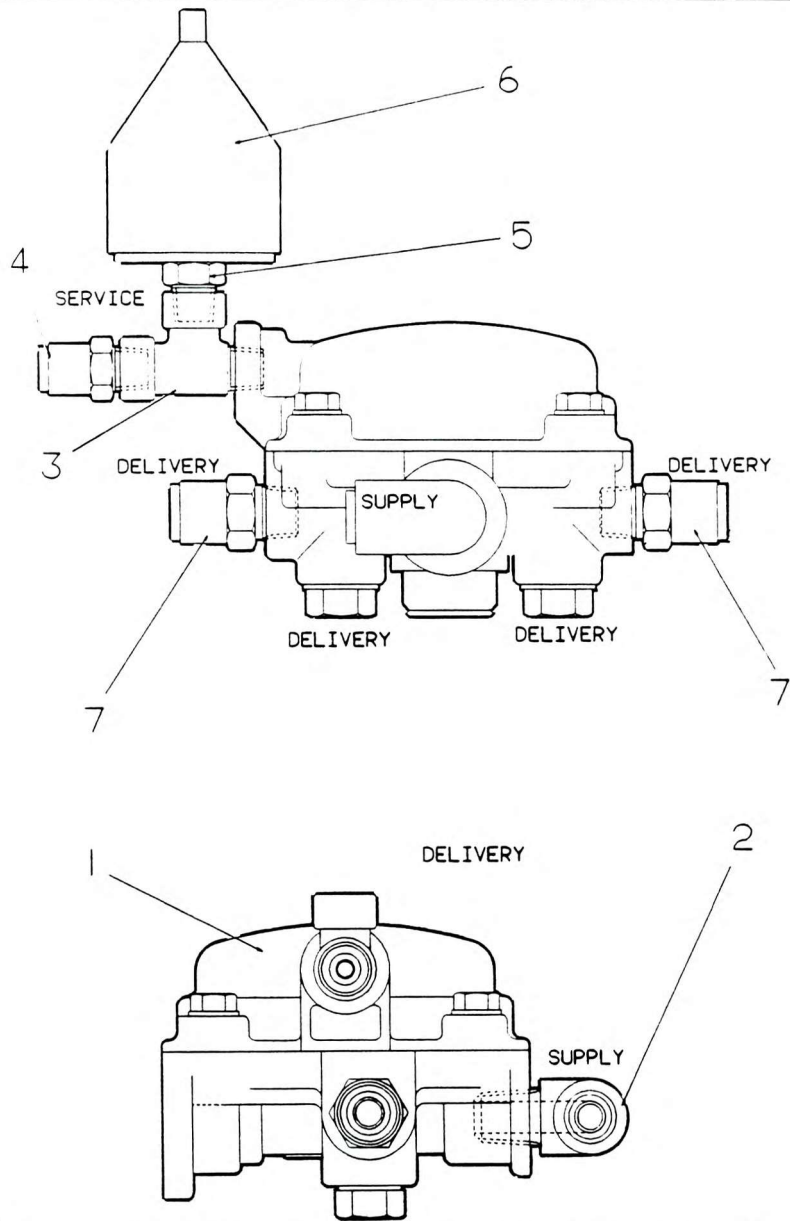


RELAY VALVE SUB ASSY PARKING



NO.	PART NO.	QTY.	DESCRIPTION	NO.	PART NO.	QTY.	DESCRIPTION
1 +	7-926-990157	1	Relay Valve				
2	7-443-991035	1	Fixed Elbow Adaptor (To Supply Port)				
3	7-888-000033	1	Service Tee (To Service Port)				
4	7-443-990965	1	Adaptor $\frac{1}{2}$ x $\frac{3}{8}$ " (To Service Tee)				
5	8866089	1	Switch Low Pressure Warning (To Service Tee)				
6	8353716	1	Boot Low Pressure Indicator				
7	7-443-990969	2	Adaptor $\frac{3}{8}$ " x $\frac{1}{2}$ " (To Delivery Ports RHS & LHS)				

+ See further breakdown in this group

6-926-990446  
Issue No. 00